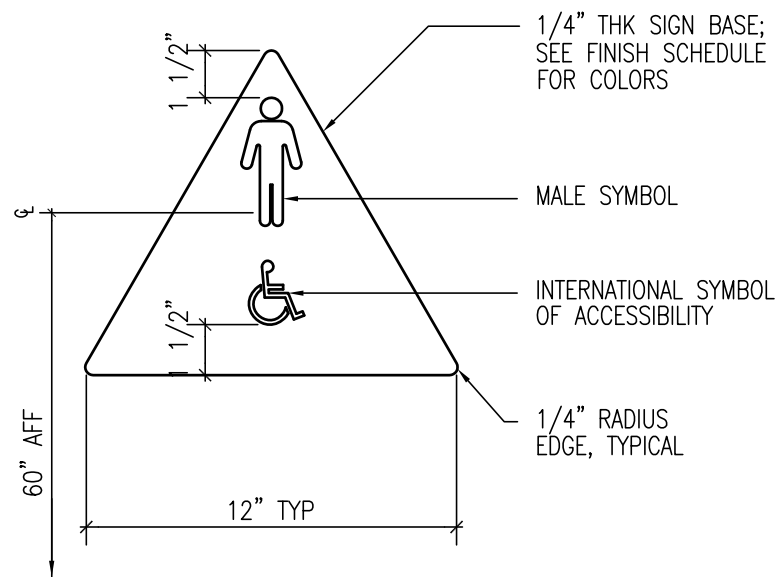
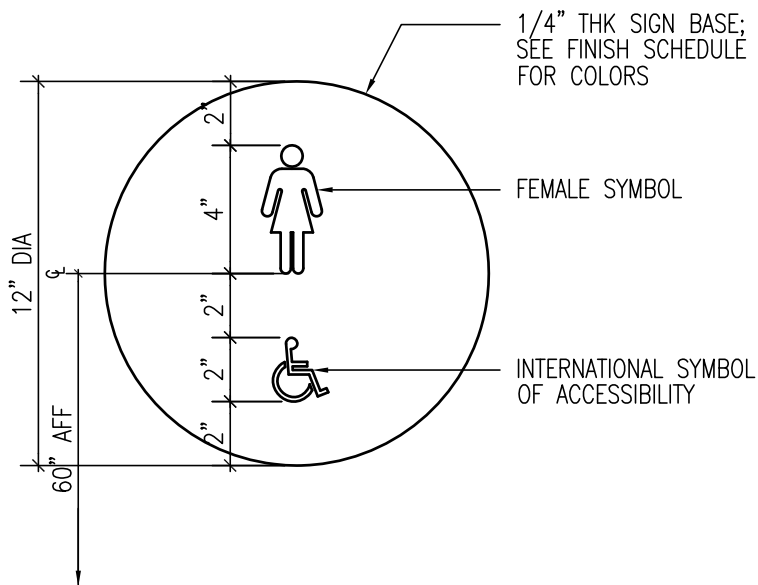
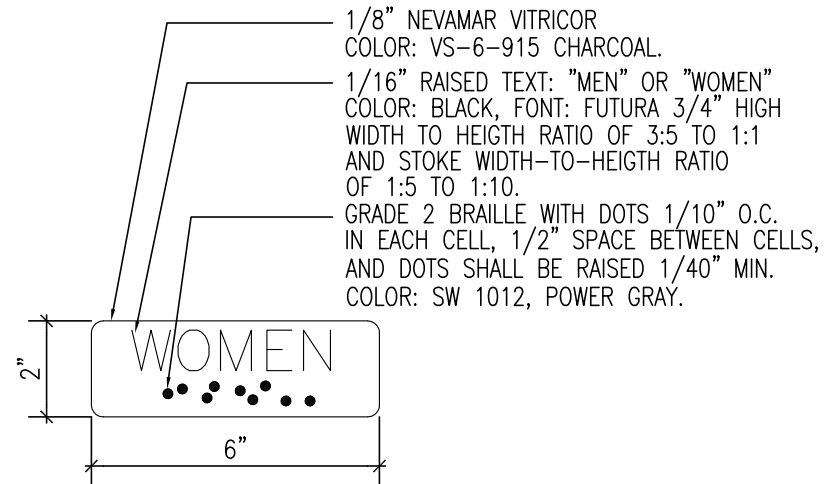
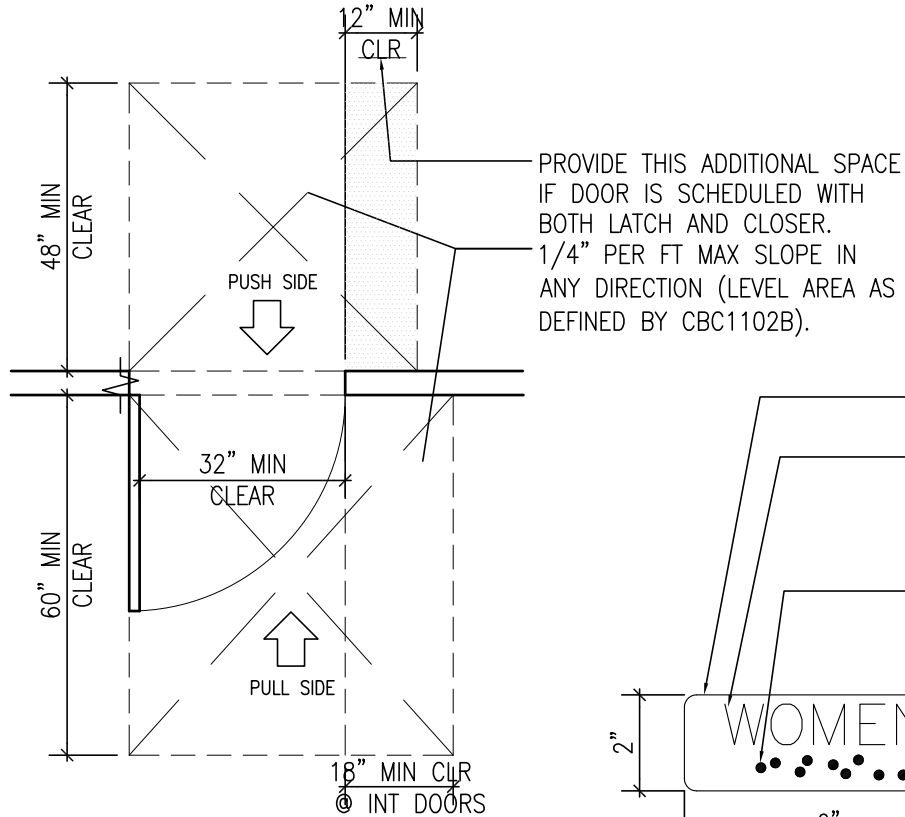
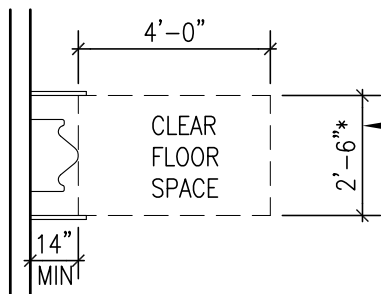
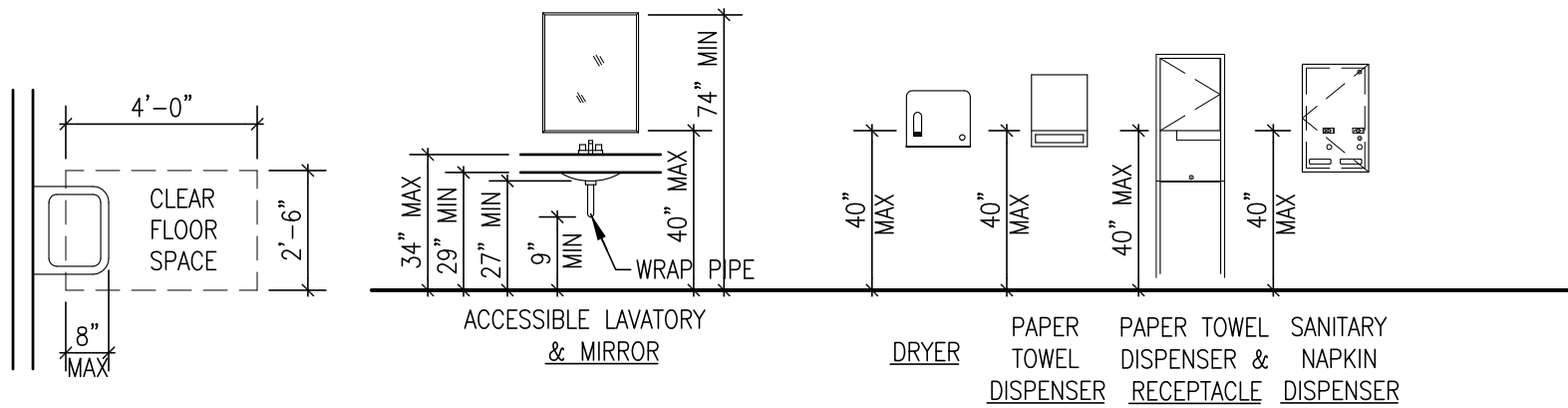
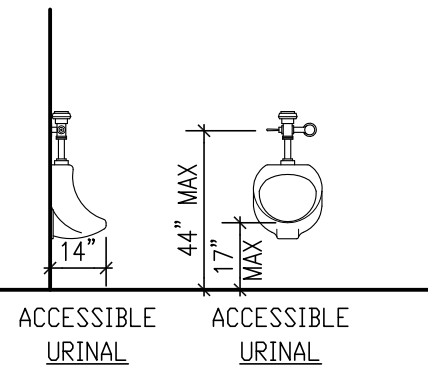


SIGNAGE





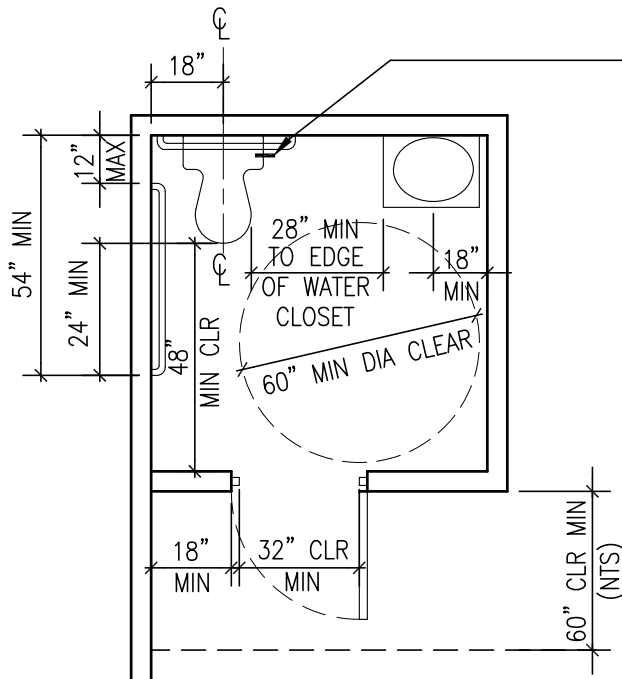
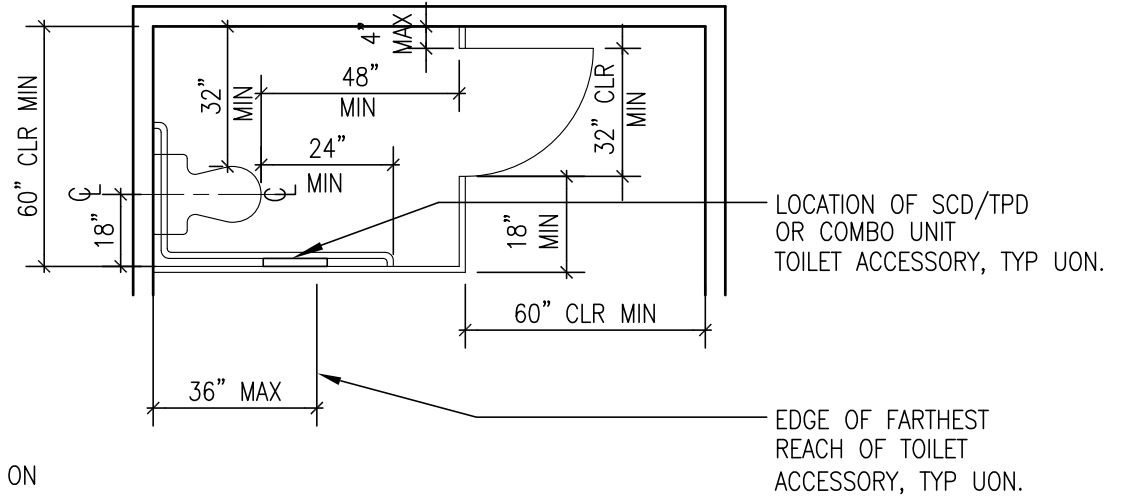
* 30" MIN. IF URINAL PARTITIONS ARE < OR = 24" DEEP AND 36" DEEP IF > 24" DEEP PARTITIONS.



NOTES:

1. REFER TO DETAIL ELEVATION OF TYP MOUNTING HTS OF ACCESSIBLE PLUMBING FIXTURES & TOILET ACCESSORIES.

2. PROVIDE THE INSIDE & OUTSIDE OF ACCESSIBLE COMPARTMENT DOOR W/ A LOOP OR U-SHAPED HANDLE IMMEDIATELY BELOW THE LATCH. PROVIDE LATCH THAT IS FLIP-OVER STYLE, SLIDING, OR SOME OTHER HARDWARE THAT DOES NOT REQUIRE THE USER TO GRASP OR TWIST.



FLUSH ACTIVATOR ON WIDE SIDE, TYP

